

GAV-16F法蘭閘閥

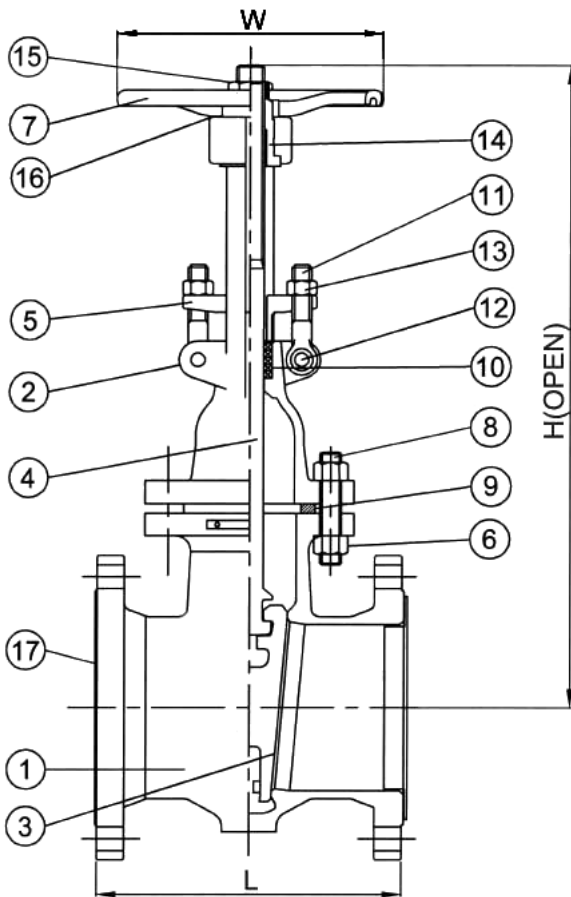
產品特徵：

SPECIFICATIONS

- *公稱壓力：1/2" ~12" 16Kgf/cm2
Working Pressure: 1/2" ~12" PN16
- *閘閥應用標準：API 603
GATE VALVES: API 603
- *殼體厚度標準：ANSI B16.34
SHELL WALL THICKNESS: ANSI B16.34
- *結構長度尺寸規範：DIN 3202
Face to Face Dimensions: DIN 3202
- *法蘭端尺寸規範：DIN 2501
End Flange Dimensions: DIN 2501 PN16
- *壓力試驗規範：API 598
Pressure Test: API 598



型號：GAF-16F



MATERIALS LIST

ITEM	零件名稱PART NAME	材質MATERIAL		
		1.4308	1.4408	1.4409
1	BODY	1.4308	1.4408	1.4409
2	BONNET	1.4308	1.4408	1.4409
3	DISC	SUS304	SUS316	SUS316L
4	STEM	SUS304	SUS316	SUS316L
5	GLAND	1.4308	1.4408	1.4409
6	BONNET NUT	A194-8		
7	HAND WHEEL	DUCTILE IRON		
8	BONNET BOLT	A193-B8		
9	GASKET	V#1500/GRAPHITE/PTFE		
10	PACKING	PTFE/GRAPHITE		
11	EYE BOLT	A193-B8		
12	BOLT PIN	A276-304		
13	EYE BOLT NUT	A194-8		
14	YOKE SLEEVE	BRONZE		
15	WHEEL NUT	STEEL		
16	WASH	SUS304		
17	COVER	PE		

DIMENSIONS

Unit:mm

SIZE	IN	1/2"	3/4"	1"	1-1/4"	1-1/2"	2"	2-1/2"	3"	4"	5"	6"	8"	10"	12"
	MM	15	20	25	32	40	50	65	80	100	125	150	200	250	300
L		115	120	125	130	140	150	170	180	190	200	210	230	250	270
H		190	200	230	270	280	320	390	415	510	600	710	900	1117	1324
W		90	90	100	140	140	160	180	200	225	250	290	330	350	400