

## YS-150F Y型法蘭過濾器

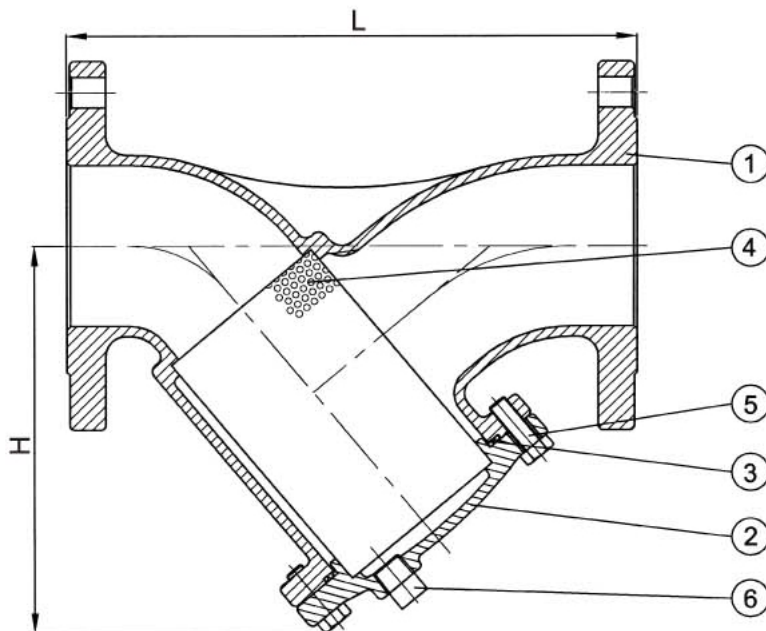
產品特徵：

SPECIFICATIONS

- \*公稱壓力：1/2" ~24" 150LB  
Working Pressure: 1/2" ~24" 150LB
- \*適用溫度範圍：-20 ~ 232°C  
Temperature Range: -20 ~ 232°C
- \*連接方式：內螺紋 BSPT/NPT  
End types: Female Threaded BSPT/NPT
- \*精密鑄造 Investment Casting



型號：YS-150F



### MATERIALS LIST

ITEM	零部件PART NAME	材質MATERIAL		
1	BODY	CF8	CF8M	CF3M
2	CAP	CF8	CF8M	CF3M
3	GASKET	PTFE		
4	SCREEN	SS304	SS316	SS316L
5	BOLT NUT	A193-B7	ASTMA194-B8	
6	PLUG	SS304	SS316	SS316L

### SCREEN SPECIFICATION

SIZE	PERFORATION
1/2" ~ 1-1/2"	1MM
2" ~ 12"	2MM
14" ~ 24"	4MM

### DIMENSIONS

SIZE		Unit:mm																	
		IN	1/2"	3/4"	1"	1-1/2"	2"	2-1/2"	3"	4"	5"	6"	8"	10"	12"	14"	16"	18"	20"
	MM	15	20	25	40	50	65	80	100	125	150	200	250	300	350	400	450	500	600
L		120	140	150	190	210	250	280	340	380	420	500	730	810	960	1040	1120	1200	1400
H		75	75	100	120	140	175	196	244	277	320	390	430	580	630	720	880	980	1170